



# Omnidirectional single antenna

## Features

- Omnidirectional
- 6 dBi gain
- 1880-1920 MHz
- Mountable to wall or pole

## General

The 'omnidirectional single antenna' is an omnidirectional 6 dBi colinear antenna fitted with a 1 meter coaxial cable and a MCX male connector. It is supplied with a wall bracket and a pole mounting clamp. With this pole-mounting clamp the antenna can be mounted to a pole with diameter of 25 to 37 mm.

## Specifications

Specifications subject to change without prior notice.

### General

Manufacturer: MAT Equipment  
 Product code manufacturer: MA430X14

### Physical

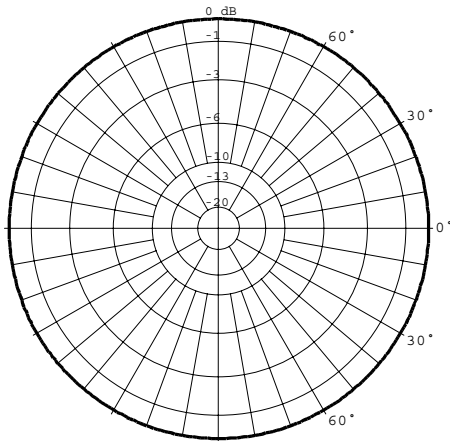
Height: 375 mm (above wall mounting bracket)  
 Weight:  $\approx$  0.2 kg (excl. pole mounting bracket of 70 grams)  
 Material/colour: shroud: glass fiber, grey upper  
 cap: plastic, black  
 base: plastic, black wall  
 bracket: glass fiber, greypole mounting  
 clamp: stainless steel

### Environmental

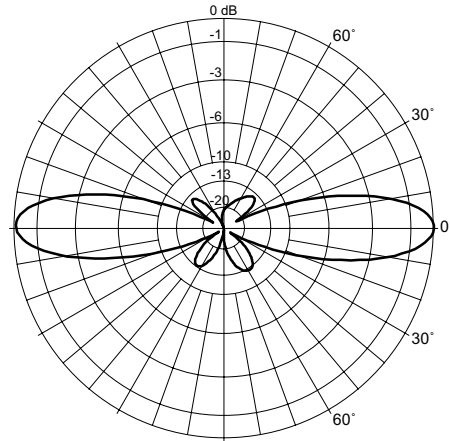
Operating temperature: -33 to +55 °C

### Functional Specs

Frequency range: 1880 to 1920 MHz  
 Nominal impedance: 50 ohms  
 VSWR:  $\leq$  1.7  
 Polarization: linear, vertical  
 Gain (at connector level): 4.8 dBi  $\pm$  0.3 dBi  
 Radiation in horizontal plane: omnidirectional within  $\pm$  0.3 dB  
 Radiation in vertical plane: beam width (E-plane) at -3 dB:  $\approx$ 24°  
 Maximum power: 10 watts  
 Connector: MCX male connector at the end of a 1 m RG316 coaxial cable (minimum bending radius: 20 mm)



Typical radiation in horizontal plane



Typical radiation in vertical plane